



KRC2 DSE-IBS Board
Robot Store Ltd.

KRC2 DSE-IBS Board (Digital Servo Electronics Interbus Interface)

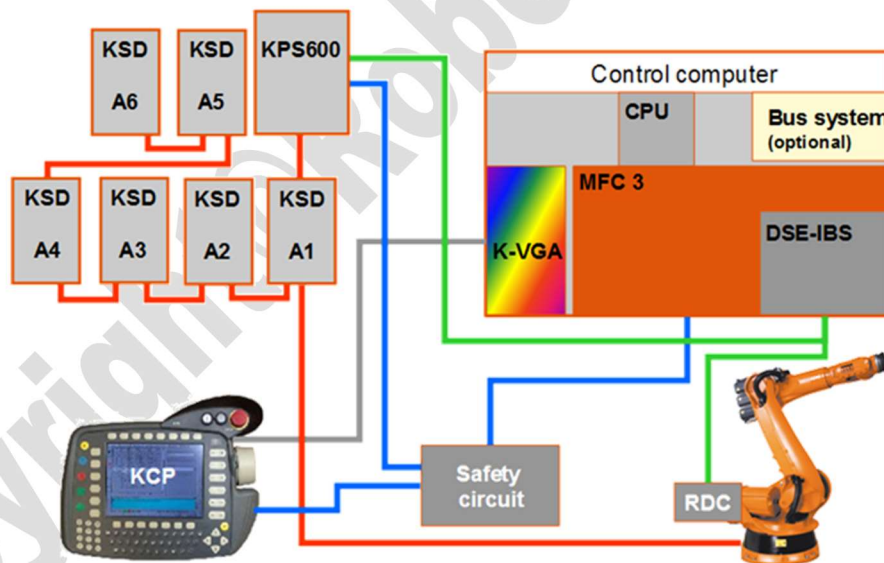
Description

A DSE-IBS card takes over the drive control of up to 8 axes, thus reducing the workload of the main processor.

Postage and packing £4.60

The DSE-IBS tasks are:

- Actual position value acquisition via the RDC
- Position control
- Speed control
- Supplying the current/torque setpoints to the KSD modules

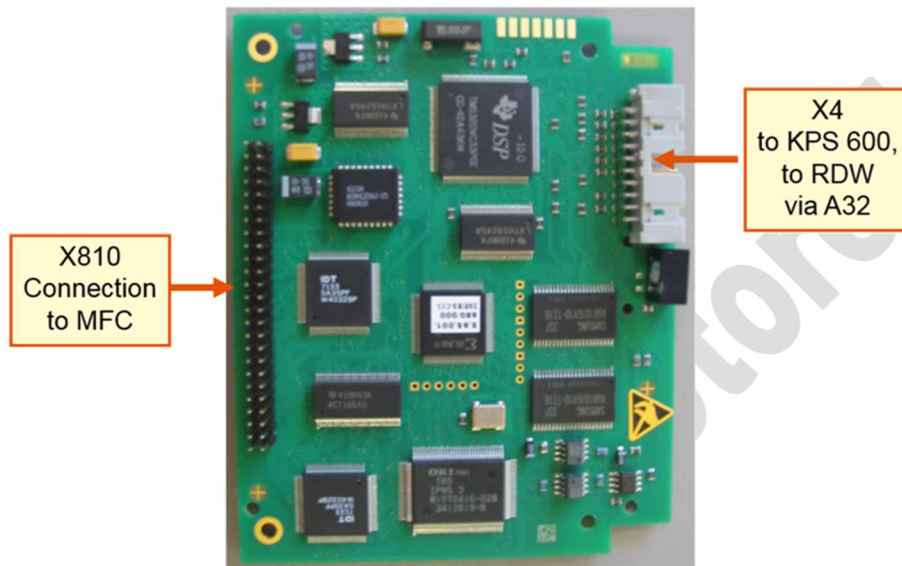


ROBOT STORE LTD.

Old Bank Buildings, Upper High Street, Cradley Heath, B64 5HY
 Tel: +44 (0)7840 913224 email: info@robot-store.co.uk web: <https://www.robot-store.co.uk>
 Registered in the UK. Company Number 11097343

Connectors

For the connections please see below:



Please contact us for further information.

ROBOT STORE LTD.

Old Bank Buildings, Upper High Street, Cradley Heath, B64 5HY
Tel: +44 (0)7840 913224 email: info@robot-store.co.uk web: <https://www.robot-store.co.uk>
Registered in the UK. Company Number 11097343